

Pitched and unpitched instruments



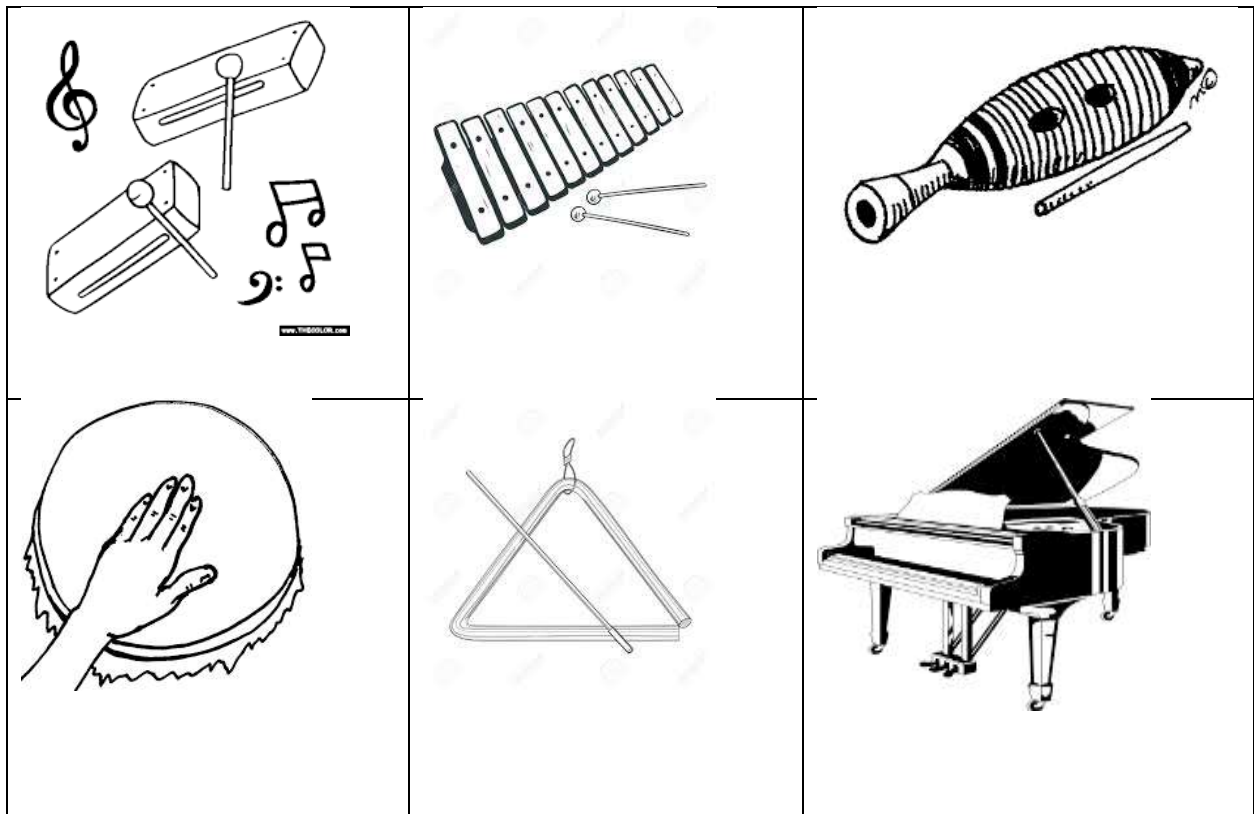
Pitched instruments: instruments that make a melody that goes up down or stays the same



Unpitched instruments: instruments that do not make a melody when they hit, tap, shake or scrape

Step 1: Pick one color for pitched and one color for unpitched.

Step 2: Color each of the instruments below the correct color to show if they are pitched or unpitched.



You have identified which instruments were pitched and unpitched. For this activity you need to sort the instruments into wood, metal, and skin categories.

Word bank:

Guiro

Wood block

Hand drum

Triangle

Rhythm sticks

Cow bell

Step 1: Read each instrument name.

Step 2: Write the correct instrument name in the category box it belongs.

<u>Wood</u>	<u>Metal</u>	<u>Skin</u>

For this activity I want you to go around your house and find different objects that are made of wood, metal, and skin. Write their names in the category boxes below.

<u>Wood</u>	<u>Metal</u>	<u>Skin</u>